



S6001-RTU

REMOTE CONTROL UNIT WITH BUILT-IN IO AND 3G+ MODEM

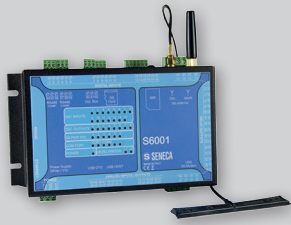
Highlights

- **Nr 31 built-in I/O channels**
- **Multi-protocol support: ModBUS TCP-IP, ModBUS RTU, IEC 60870-101/104, IEC 61850**
- **SoftLogic IEC 61131 on StratON environment**
- **Built-in Modem with dual/quad band UMTS, HSDPA, EDGE, GPRS, GSM technologies**
- **Extended connectivity**
- **Cut total operating reduction**
- **Universal applications**

S6001 RTU all in one remote control unit that features 31 I/O channels: 15 PNP digital inputs, 2 digital inputs for thresholds monitoring, 4 analog inputs (0..20 mA), 8 SPDT relay outputs 5A 250 Vac, 1 analog output (0..10 V), 1 analogue output (0..20 mA). S6001 RTU is also expandable and can be interfaced with 3rd parts systems supporting ModBUS TCP IP and ModBUS RTU, IEC 60870 101 / 104, IEC 61850 industrial and energy management protocols.

S6001 RTU is equipped with nr.1 10/100 Mbps Ethernet port (RJ45), nr. 1 RS232 port, nr.2 RS485 ports, nr. 1 USB host port and nr. 1 USB port Mini. By Straton IEC 61131 environment, S6001 RTU can be used as a powerful plant controller. The dual / quad band UMTS, HSDPA, EDGE, GPRS, GSM built in modem allows communications towards and from the central unit and plant remote monitoring.





REMOTE CONTROL UNIT WITH BUILT-IN IO AND 3G+ MODEM

TECHNICAL DATA

GENERAL DATA

Power Supply	10..40 Vdc; 19..28 Vac
Isolation	1.500 V
LED status indicators	Power Supply Serial communication Ethernet PLC status
Protection degree	IP20
Operating temperature	-20..+50°C
Dimension	105 x 109 x 60 mm
Enclosure	Aluminum
Connection	Removable terminals, max conductors dimension 2,5 mm ²
Mounting	35 mm DIN rail (IEC EN 60715)

COMMUNICATION

Ethernet	Nr 1 Ethernet 10/100 Mbps (RJ45) port
Serial	Nr. 1 RS232 port; Nr. 2 RS485 ports
USB	Nr 1 USB host port; Nr 1 USB micro USB port
Modem / Router	Modem UMTS, HSDPA (dual band), EDGE, GPRS, GSM (quad band)
Industrial protocols	ModBUS RTU, ModBUS TCP-IP, custom protocols
Energy protocols	IEC 60870-101/104, IEC 61850
Network protocols	PPP, http, Ftp, Sntp, Open VPN

INPUT DATA

Channels / Type	Nr 15 Digital Inputs PNP, NPN (max voltage 24 Vdc) Nr 2 Digital Inputs (thresholds) Nr 4 Analog Inputs (0..20 mA)
-----------------	---

OUTPUT DATA

Channels / Type	Nr 8 Digital Outputs SDPT 5A - 250 Vac relay Nr 1 Analog Output 0..10 V Nr 1 Analog Output 0..20 mA
-----------------	---

PROCESSING / MEMORY

Processor	ARM 32 bit @400 MHz
Flash Memory (data)	1 GB
RAM / FeRAM	64 MB / 4 kB
Slot Micro SD	SD Card up to 32 GB

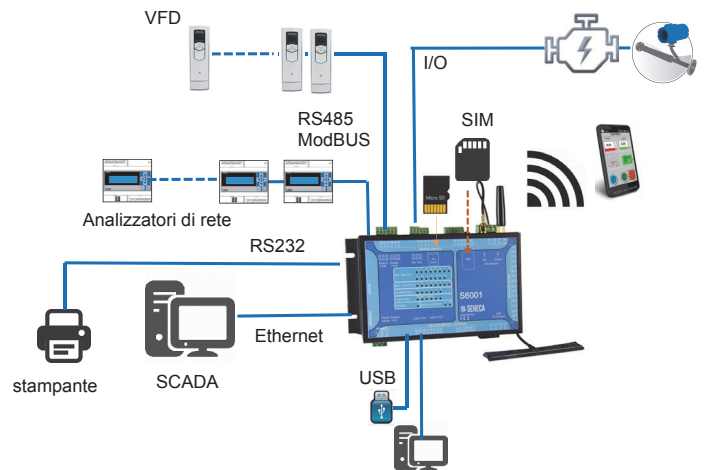
PROGRAMMING / SETTINGS

System software environment	Z-NET4 / Straton
Web server / Datalogger	Yes
PLC programming	IEC 61131 (Straton) with specific libraries

STANDARDS

Marking	CE
Norms	EN 61000-6-4, EN 61000-6-2, EN 60950, EN 301511, EN 301489-1, EN 301489-7

APPLICATION NOTE



ORDER CODES

Code	Description
S6001-RTU	Remote Control Unit with built-in IO and 3G+ modem
SOFTWARE	
STRATON-D-USB	Straton activation key for IEC 61131 controllers
STRATON-IDE256	Straton development environment, 256 tags, USB activation key
STRATON-IDE512	Straton development environment, 512 tags, USB activation key
STRATON-IDEUN	Straton development environment, unlimited tags, USB activation key
STRATON-IEC-E1	IEC 60870-5-101/104 Slave activation license
STRATON-IEC-E2	IEC 61850 Server activation license
STRATON-IEC-E3	IEC 60870-5-101/104 slave + IEC 61850 Server activation license
STRATON-IEC-E4	IEC 60870-5-101/104 Master / Slave activation license
STRATON-IEC-E5	IEC 61850 Client / Server activation license
STRATON-IEC-EF	IEC 60870-5-101/104 Master / Slave + IEC 61850 Client / Server activation license
STRATON-WB	Straton workbench IEC 61131 free editor
ACCESSORI	
STRATON-IDE	Activation key Straton IEC 6113
CE-RJ45-RJ45-C	Crossover Ethernet cable (RJ45-RJ45)
CE-RJ45-RJ45-R	Straight-thru Ethernet cable (RJ45-RJ45)
A-GSM	Dual band swing GSM external antenna, cable 3,2 m, SMA
A-GSM-DIR-5M	GSM-DECT-UMTS directive compact antenna
A-GSM-OMNIDIR	GSM-UMTS-WIFI Omnidirectional Antenna
A-GSM-OMNIDIR-10	GSM-UMTS-WIFI Omnidirectional Antenna, L=10 m
A-GSM-QUAD	GSM quadband antenna